



EXTENSION LADDER PORT

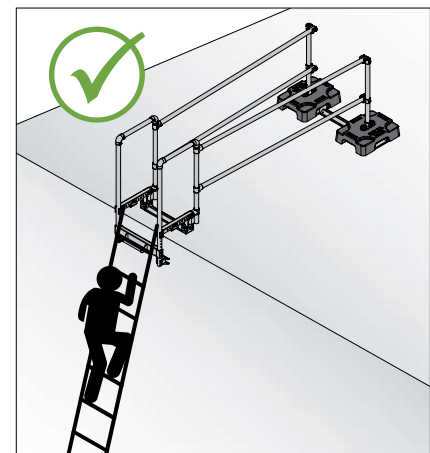
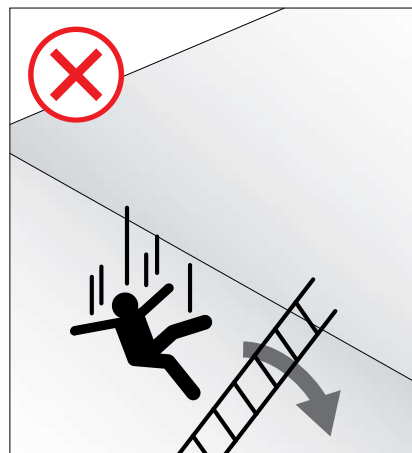
Delta Prevention's extension ladder port is designed to create safe access to roofs accessible by an extension ladder. The versatile and patented system can be installed without anchoring in a few minutes on flat roofs with or without a parapet.

FEATURES

- 100% non-penetrating
- For roofs with or without parapet
- Lightweight, rust resistant aluminum pipes
- Steel stabilizer with anti-corrosion powder coating
- Quick and easy installation
- Patent Pending
- Permanent or temporary installation
- Made in Canada

APPLICATIONS

- HVAC maintenance
- Building or roof level without a fixed ladder or roof access hatch
- Roof access during construction

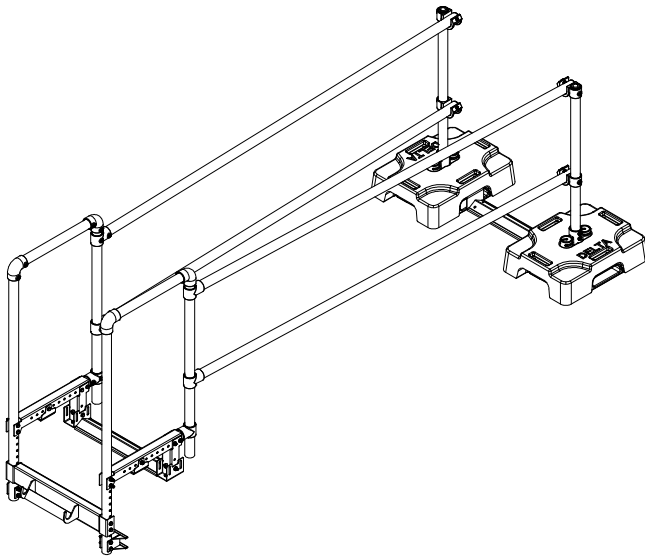


Hooks compatible with round or "D" shaped rungs up to 2" diameter.

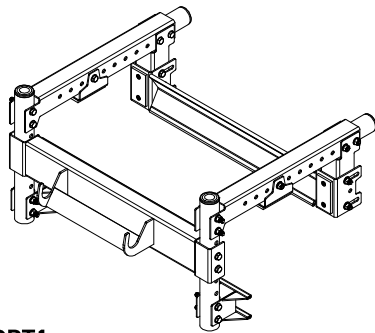


Hoops provide a solid grip and guardrails lead workers toward the center of the roof.

CONFIGURATION TYPES



ITEM # LADPT2
Extension ladder port

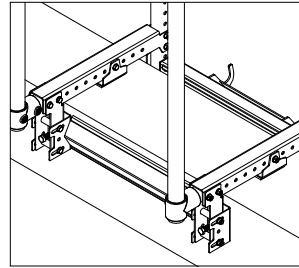


ITEM # LADPT1
Extension ladder port (stabilizer only)

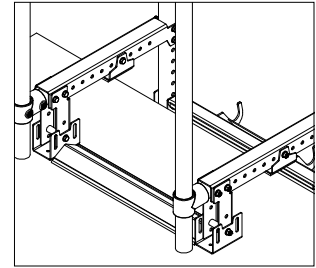


Self-closing safety gate

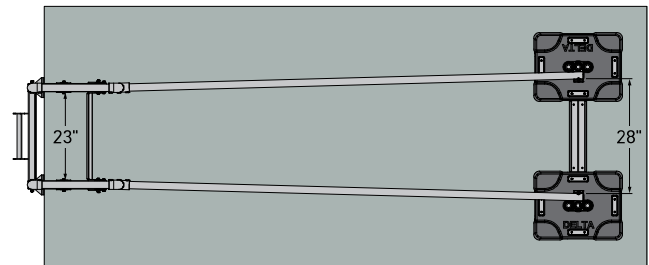
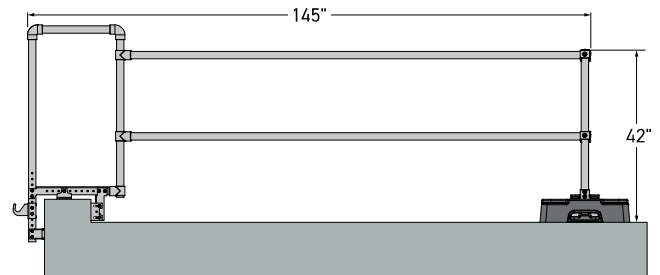
ITEM : GAT24A02
Material: Aluminum



The adjustable clamp and adjustment screw allow precise installation on the parapet.



The clamp turns into a support point on roofs without a parapet wall.



TECHNICAL SHEET

Total length:	145"
Height:	42"
Interior width - entry:	23"
Interior width - exit:	28"
Parapet - maximum width:	12"
Parapet - maximum height:	24" *
Parapet - minimum width:	6"
Material - stabilizer:	Powder coated steel with e-coat
Material - guardrail:	Anodized aluminum
Material - counterweights:	Recycled rubber, Galvanized cast iron
Weight - counterweights:	200 lb
Weight - total:	337.5 lb
Ladder - compatibility:	Aluminum, fiberglass
Ladder - compatible rung:	Round, "D" shaped
Ladder - Maximum rung diameter:	2"
Ladder - minimum inside width:	12"
Ladder - maximum side rail width:	4"

* For a parapet higher than 24", contact our customer service.