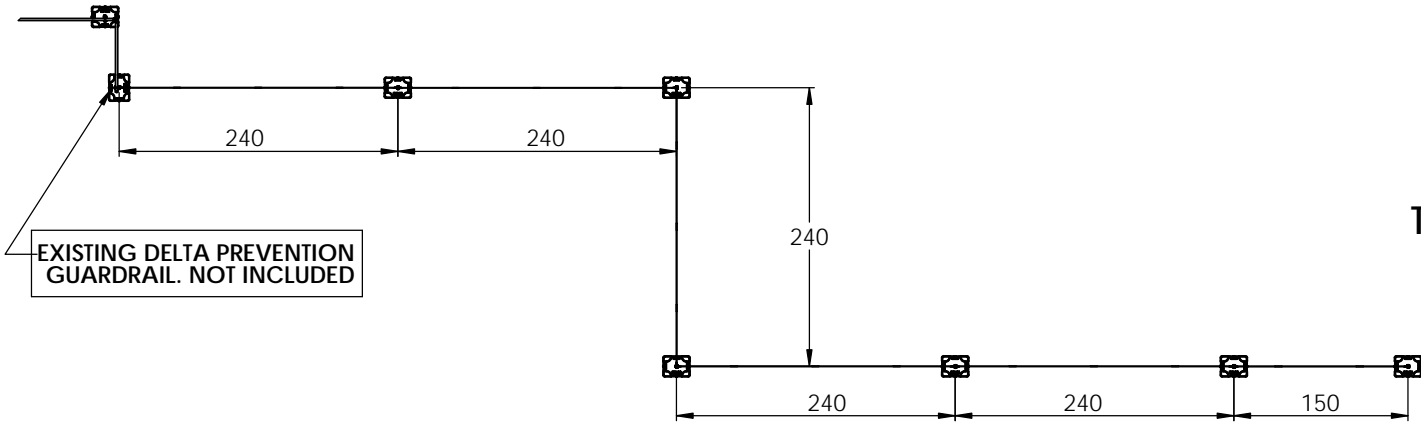
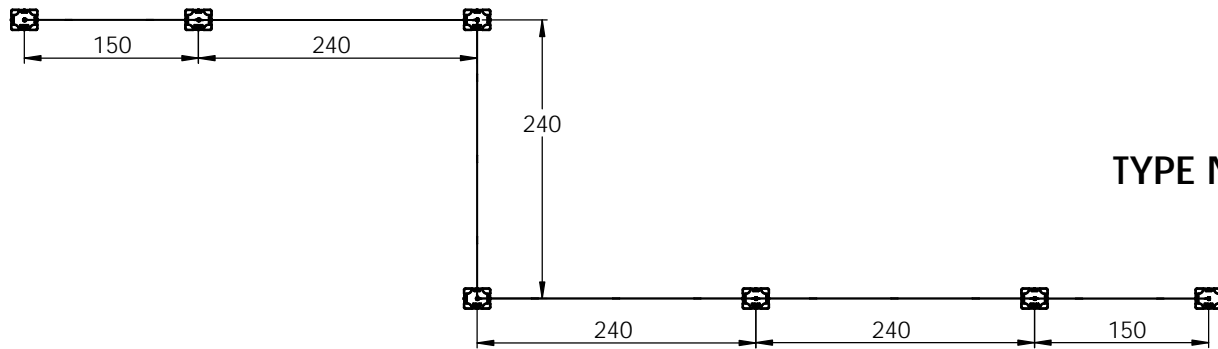


TYPE G

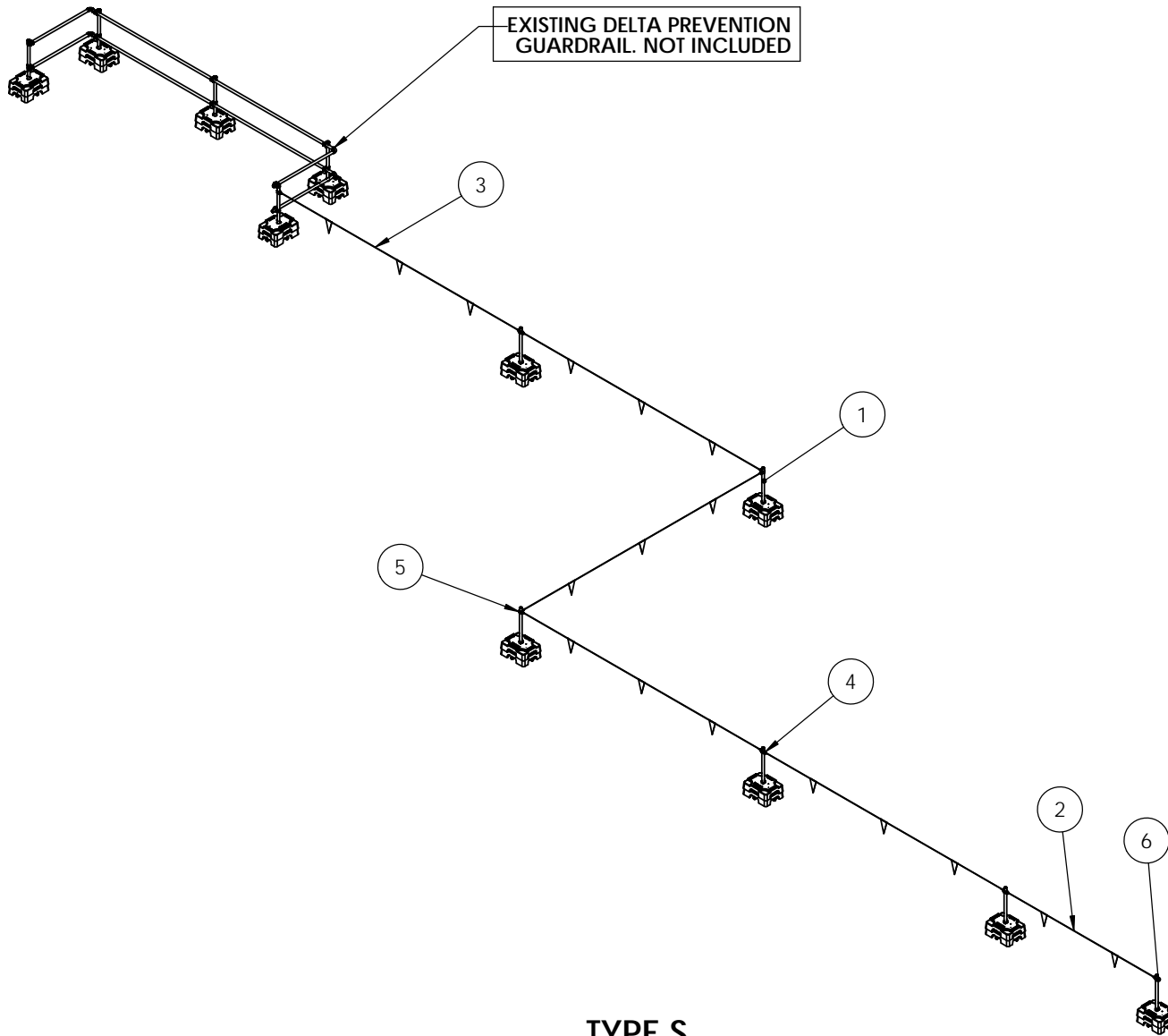


TYPE S

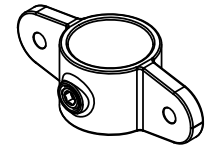


TYPE N

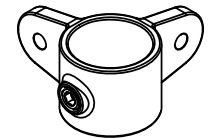
DO NOT SCALE DRAWING		REVISION	
TITLE: VSS SAFETYLINE			
7000 BOUL. INDUSTRIEL, CHAMBLY, QC, J3L 4X3 TEL: 888-550-4341 www.deltaprevention.com			
DWG NO. 17041805		A3	
SCALE: 1:200	UNIT: IN	SHEET 1 OF 2	2017/04/01



ITEM NO.	PART NUMBER	QTY.
1	DSL-2	6
2	SLKIT-150	1
3	SLKIT240	5
4	CL167	3
5	CL168	2
6	CL173	2



CL167



CL168



CL173

DO NOT SCALE DRAWING		REVISION	
TITLE: VSS SAFETYLINE			
7000 BOUL. INDUSTRIEL, CHAMBLY, QC, J3L 4X3 TEL: 888-550-4341 www.deltaprevention.com			
DWG NO. 17041805		A3	
SCALE: 1:200	UNIT: IN	SHEET 2 OF 2	2017/04/01